

ZETFON 400/310 AC

General Features

The ZÖLLNER ZETFON is a robust electrically operated whistle which is equally suitable for all types of merchant vessels as well as luxury yachts. The whistle operates on 230V AC 1phase plus 24V DC emergency supply.

Essentials

- full compliance with the Colregs 1972
- type approved by all wellknown international authorities, certificates by the classification societies on request
- application:
 - vessels of 20 m but less than 75 m in length
 - land alarm, i.e. bunker stations, oil refineries, airports, powerplants, factories
- system voltage: 230V AC 1phase plus 24V DC emergency supply
- entirely made of best non-corrosion, seawater-resistant materials (no plastic!)

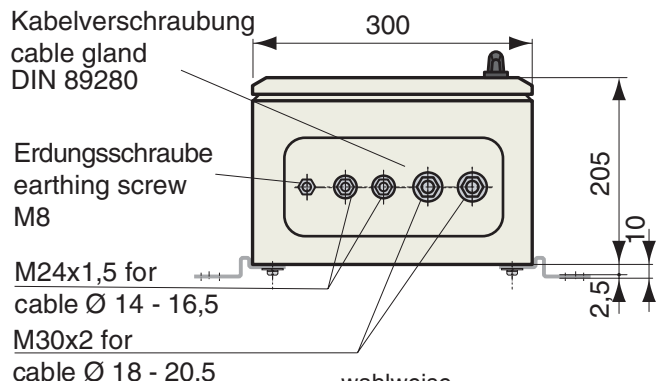
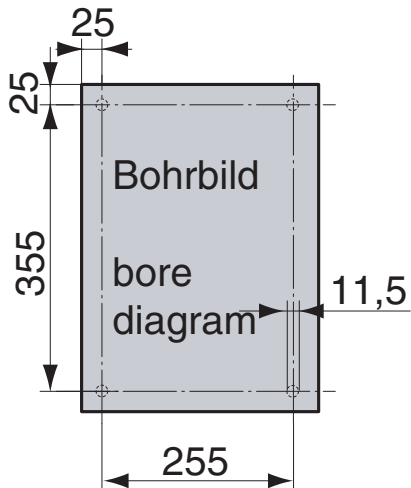
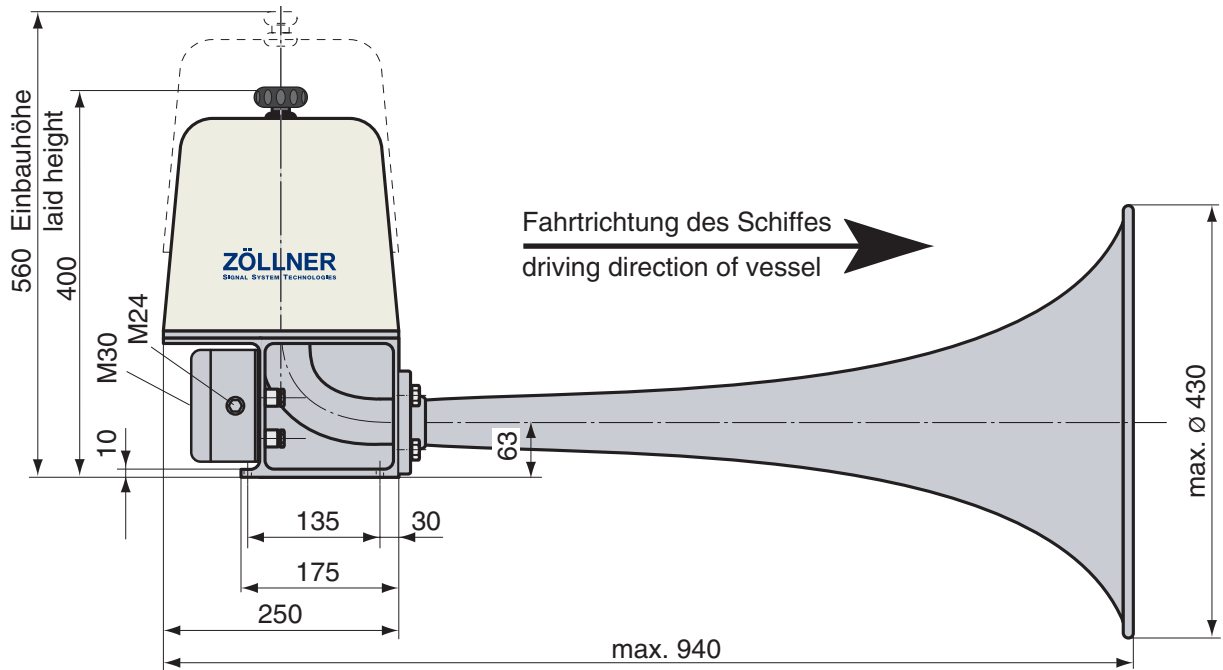


Sound Characteristics

- broad frequency spectrum with many higher harmonics
- signals with strong overtones for best penetration of background noise level
Even when a background noise covers the actual basic frequency the residual tone forms a parent frequency in the human hearing. Two or three harmonics are sufficient for the hearing to perceive the basic frequency.
- sound frequency of 310 Hz very advantageously ranks in the lower admissible range (250-700 Hz)

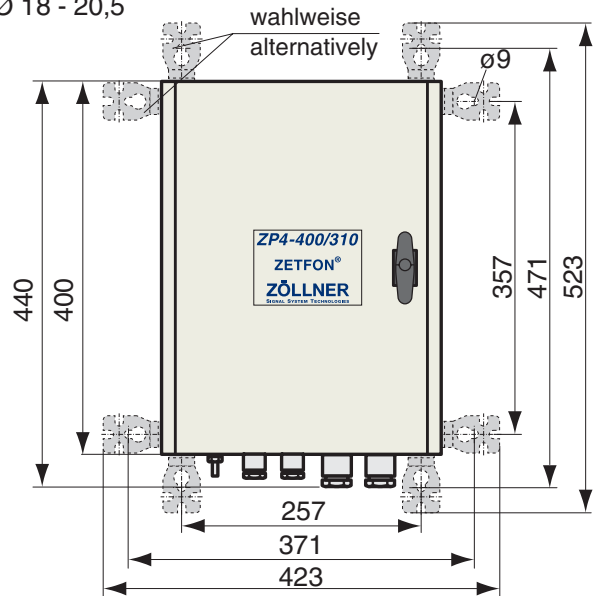
Advantages

- *decades of experience*
- best material and workmanship - made in Germany
- *90 degrees bent aluminum sound horn allows optimum discharge of spray, flood, condensation water or melted snow*
- *standby heating to avoid condensed water*
 - *body heating for cold areas available on request*
- *control and amplifier unit provided with protection against cross-connection of terminals*
- *low power consumption of 500 W*
- *easy installation*
 - *only one 2-core cable required for standard design*
 - *relatively low weight*
- *simple but matured design*
 - *easy exchange of all parts with onboard tools*



Schalt- und Verstärkereinheit ZP4 control and amplifier unit ZP4

cable gland according to DIN 89280 for MGCG cable



type	ship length [m]	voltage	cable gland [mm] max.	fundamental frequency [Hz]	sound intensity in 1/3rd-octave band level at 1 m distance		max input sounding [W]	standby heating [W]	body heating [W]	type approval BSH (DHI) no.	protection type	weight [kg]
					dB(A)	mind. IMO 1/3rd oct						
400/ 310AC	20-<75	230V AC +24V DC	ø15/ ø18,8	310	131	130	500	20	100	49/26P/ 83	IP 56	19,7+18